

LC SIMPLEX PC MULTIMODE OPTICAL PLUG  
 FOR Ø2.0 MM ULTRA TIGHT CABLE

 Packaging  
 100

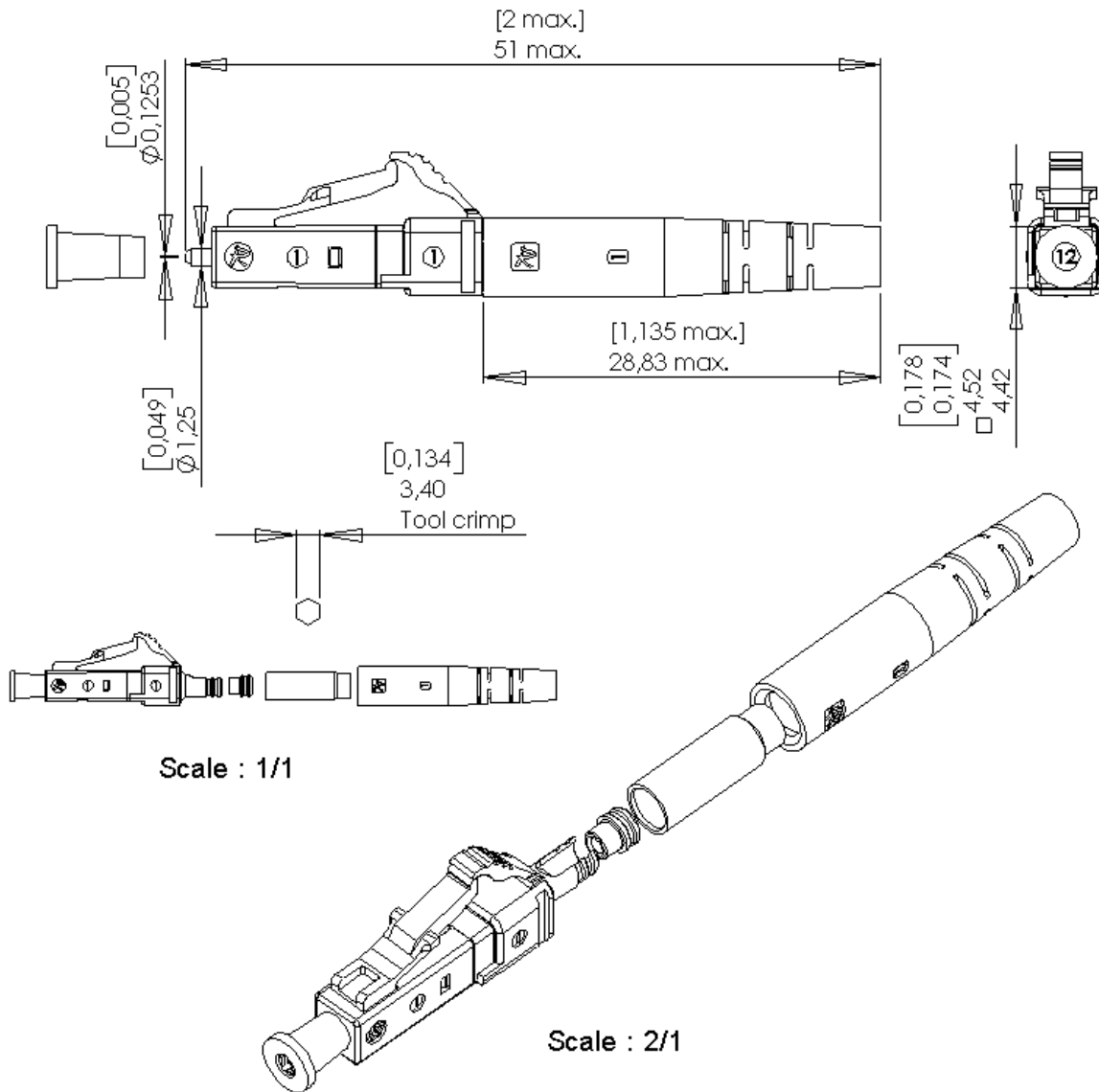
 Series  
 LC

 Issue  
 30 sept.-04

 Page  
 1 / 2

Outer plug body : color BEIGE

Monobloc



Original dimensions in mm [inch]

LC SIMPLEX PC MULTIMODE OPTICAL PLUG  
FOR Ø2.0 MM ULTRA TIGHT CABLE

Packaging  
100

Series  
LC

Issue  
30 sept.-04

Page  
2 / 2

Outer plug body : color BEIGE

Monobloc

**GENERAL**

- ❑ **TYPE** IEC 61754-20 (LC )  
Multimode Zirconia Ø 1.25 mm ferrule  
RJ -45 latching connector system
- ❑ **FERRULE SIZE** 128 µm
- ❑ **FIBER SIZE** 62,5/125µm multimode
- ❑ **CABLE SIZE & TYPE** Ø1.7-2.2 mm Ultra Tight (buffer/jacket) structure  
ABS0963-003LF
- ❑ **CABLING PROCEDURE** Refer to 503.08.610 assembly instruction manual

**CHARACTERISTICS (Depending on fibre or cable construction)**

- ❑ **OPTICAL** Attenuation at 850 nm and 1300 nm  
Attenuation plug mated with reference plug : IEC 61300-3-4 Method B

PARAMETER	STD
Mean	≤0.10 dB
Standard deviation	≤0.05 dB

Return-Loss Maximum loss variation : IEC 61300-3-6

	RL
PC	> 20dB

- ❑ **MECHANICAL** Vibration test 50 to 2000 Hz, 0.2g<sup>2</sup>/Hz, 16.4grms, 8 Hr/axis  
Impact test 1,5 m drop , 8 cycles  
Mechanical Endurance 200 matings  
Cable retention 68 N
- ❑ **ENVIRONMENTAL** Temperature range (storage/operating) -40 °C to +85°C / -28°C to +65°C M85045/16 NAVY  
Temperature range (storage/operating) -55°C to +125°C / -55°C to +125°C NEXANS 132126  
Humidity/Condensation cycling test 95% RH, -10°C to +65°C, 14 cycles, 168Hr

**Other cable available please take contact with us for more details.**

*(Performance and specification : see document GEN – F727 001)*